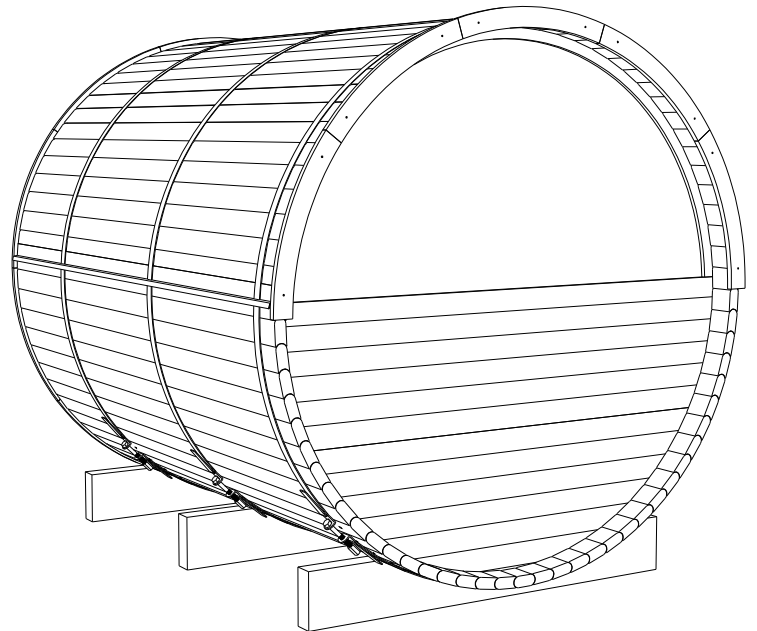
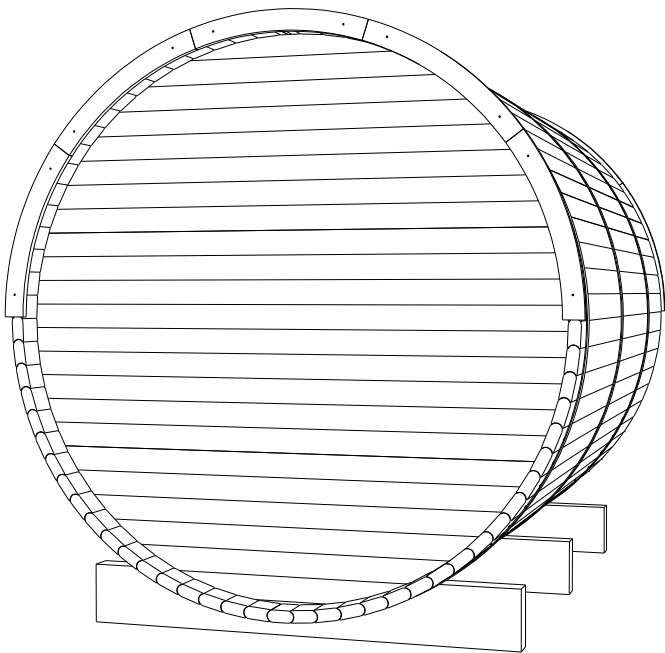
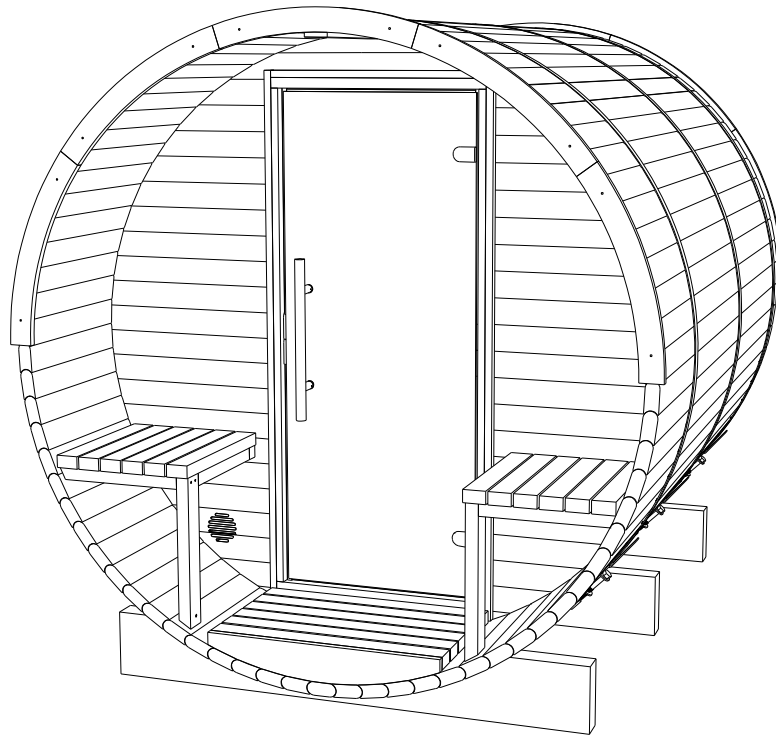


BARREL SAUNA

ASSEMBLY INSTRUCTIONS



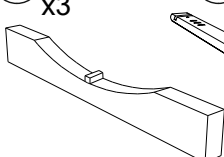
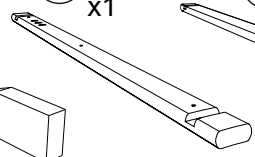
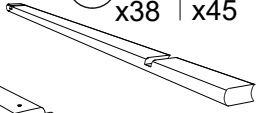
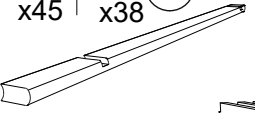
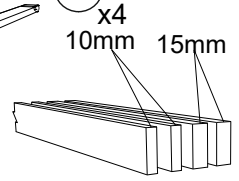
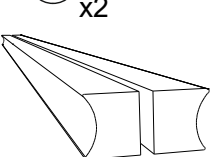
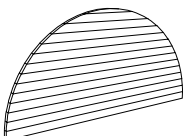
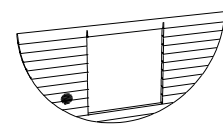
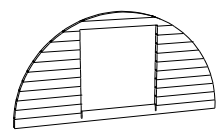
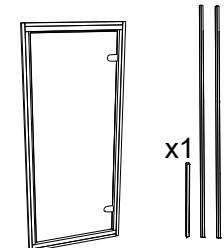
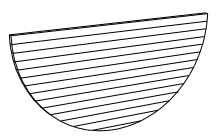
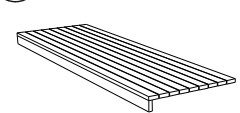
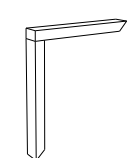

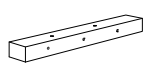

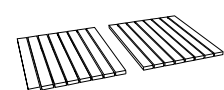
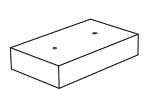
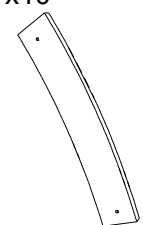
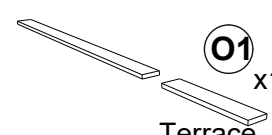
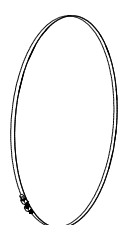




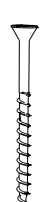





Model: RT-190-225
RT-190-260
RT-229-225
RT-229-260

Model: RTP-190-225
RTP-190-260
RTP-229-225
RTP-229-260
RTP-229-210
RTP-229-250

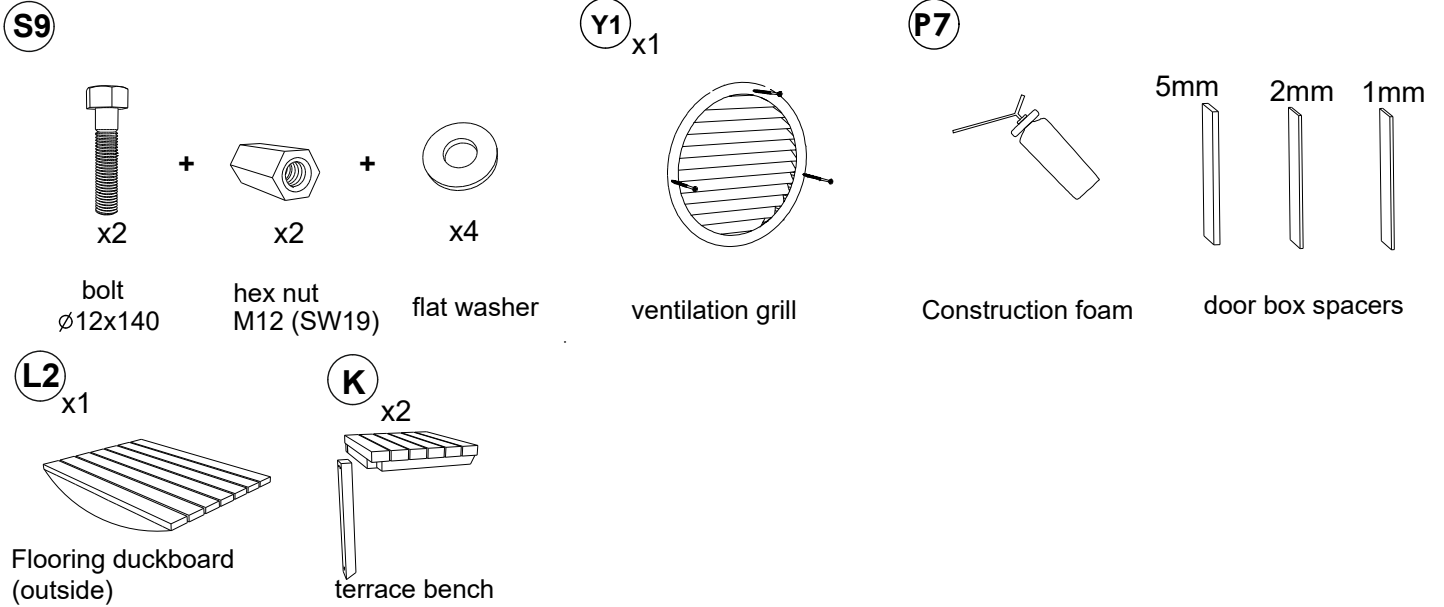
Note: Please read the manual before construction

Rev. 19.08.2024.

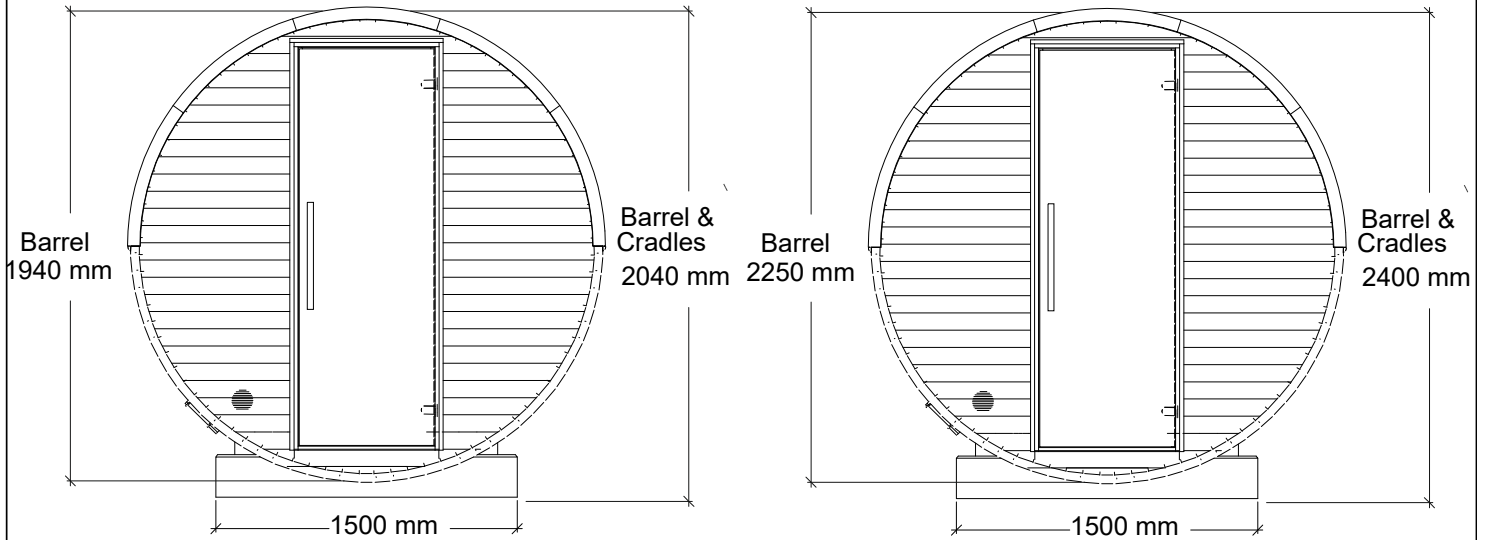
PART LIST

A x3  cradle	B x1  center stave	C R190 R229 x38 x45  left side body stave	R229 R190 x45 x38 C1  right side body stave	H1 x4 10mm 15mm  different thickness filling peaces	H x2  final H type stave at the top
V3 x1  upper rear panel	F x1  front panel bottom	F1 x1  front panel top	F2 x1  door and door moldings	V x1  bottom rear panel	
J x2  sauna bench	J1 x2  supporting leg	J2 x2  backrest	J3 x4  wall mount	N1 x2  door handle	
L x2  sauna floor	L1 x6  fixing block for sauna floor	W x10  decorative roof finishing board	O x1  roof board	I x3  metal band	
D x3  Cable canal (for LED option)	S1 x48  screw 5.0x100 SS	S10 x135  screw 4.0x60	S5 x25  screw 4.0x50 SS	S4 x11  screw 5.0x120	
S8 x15  Cable canal nails (for LED option)	S6 x40  screw 5.0x70 SS	S7 x25  screw 4.2x55 brown	S2 x25  screw 4.0x70 SS	S14 x11  screw 5.0x80	

PART LIST



Barrel Dimensions



RECOMMENDATION



2 person recommended

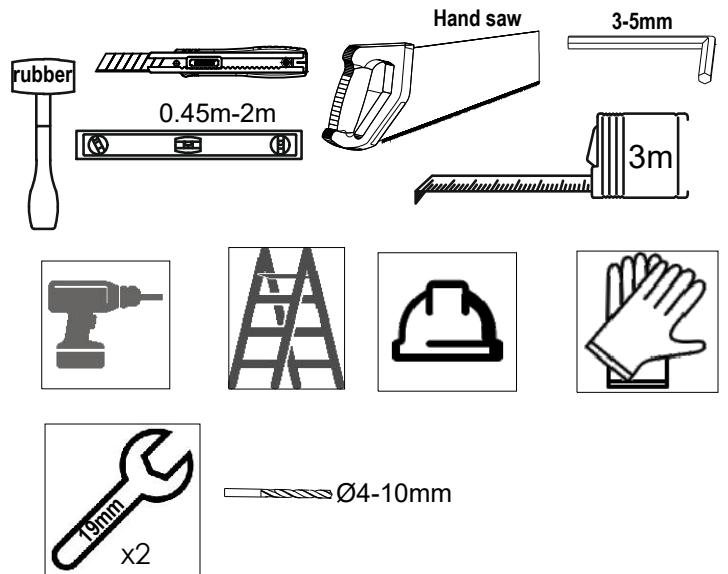
Before you begin, be sure the sauna will fit in your chosen location.

Be sure the site is level and free of standing water after rainfall.

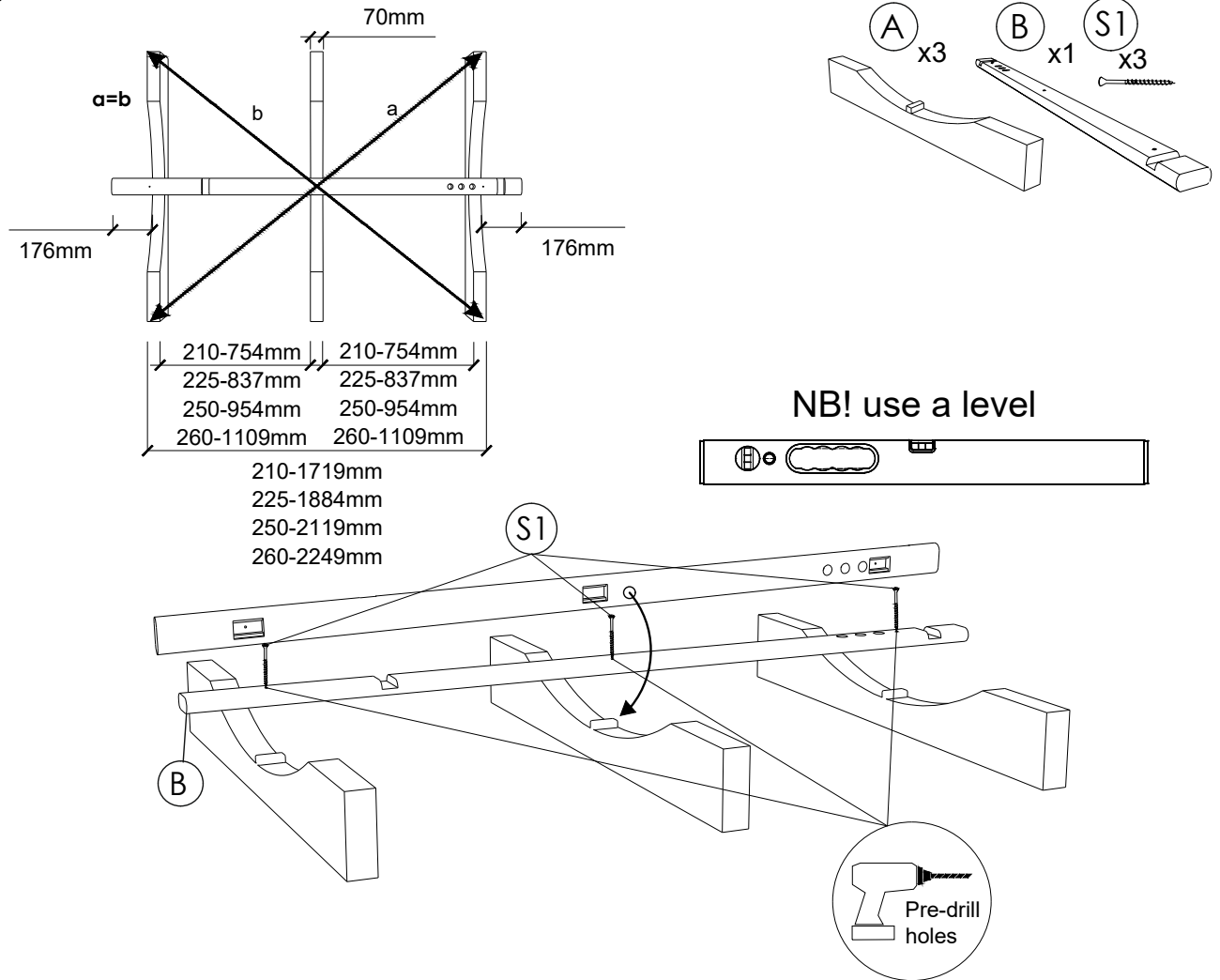
Concrete, pavers or crushed stone is preferred.

Check parts before construction.

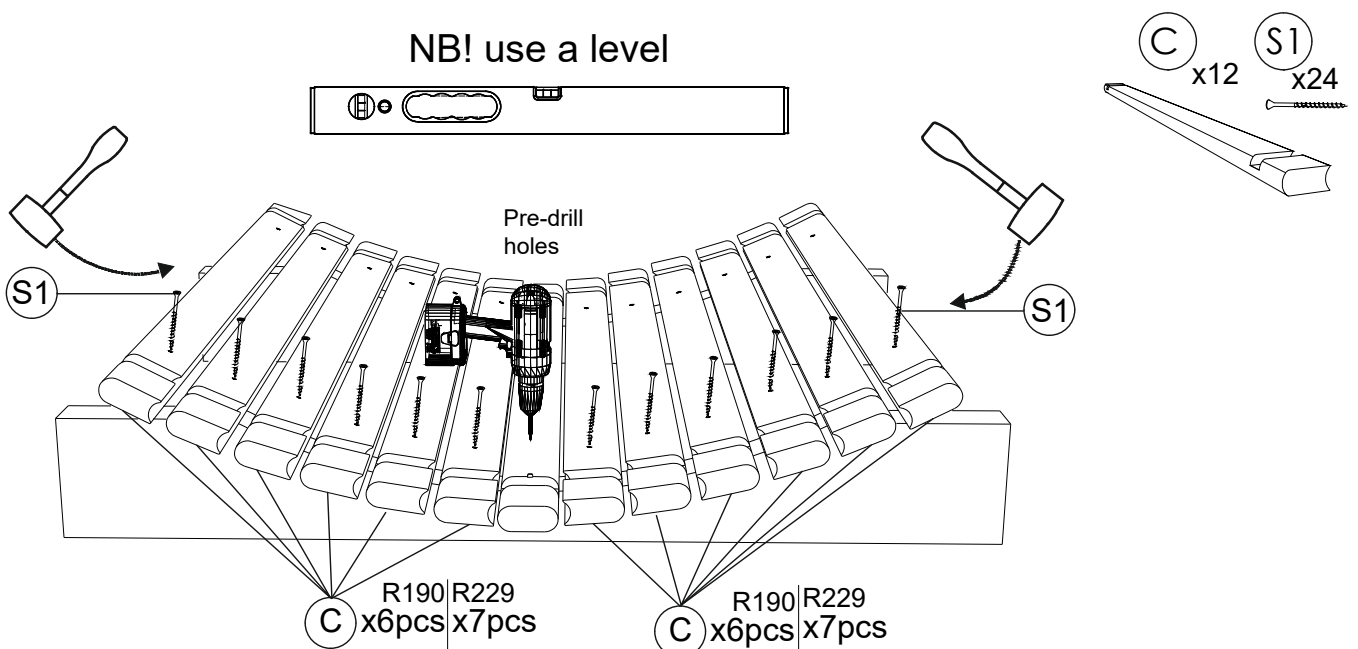
TOOLS REQUIRED



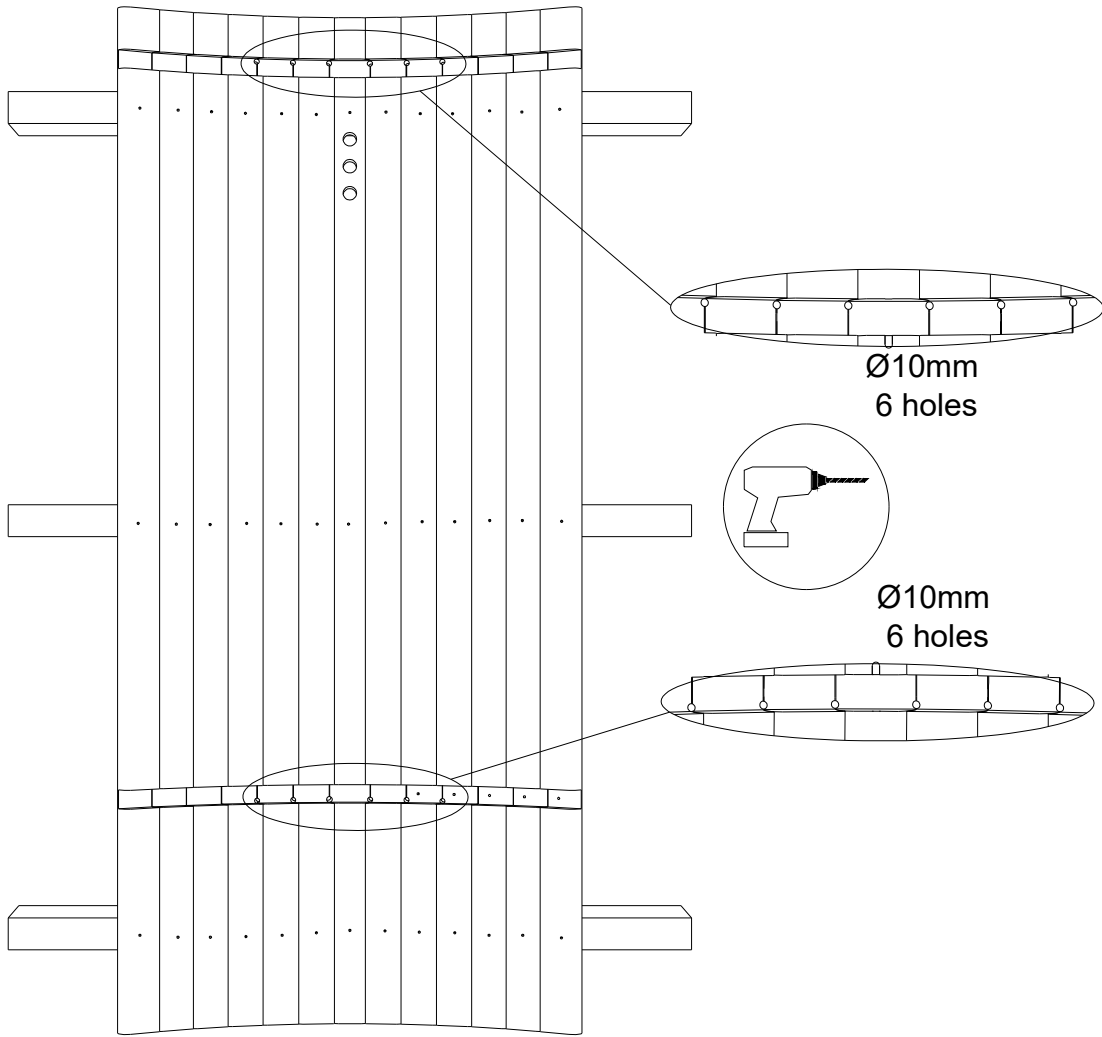
STEP 1: Measure support cradles (A) diagonally from corner to corner. Measurements “a” and “b” should be equal to ensure the cradles are square. Be sure cradles remain level. Place the support cradles (A) on level site. Carefully level for better stability. Place the center stave (B) on wooden dowels embedded in outer support cradles (A). Fix the center stave (B) with 5.0x100 SS(S1). Pre-drill holes before fix staves with screws.



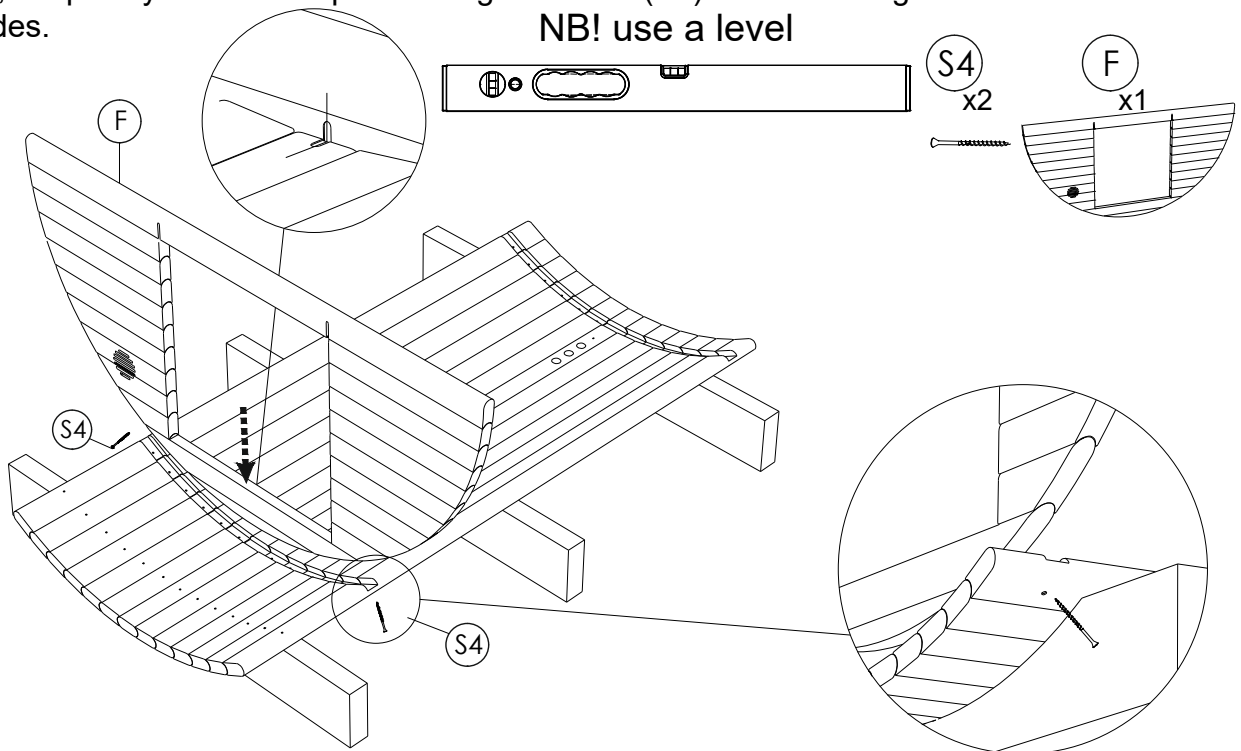
STEP 2: Pre-drill holes before fix staves with screws. Place 6 (R190) or 7 (R225) sauna body staves (C) to each side of the center stave (B) and fix with screws 5.0x100 SS (S1). Be sure to align the panel groove on every next body stave, to do that use rubber hammer.



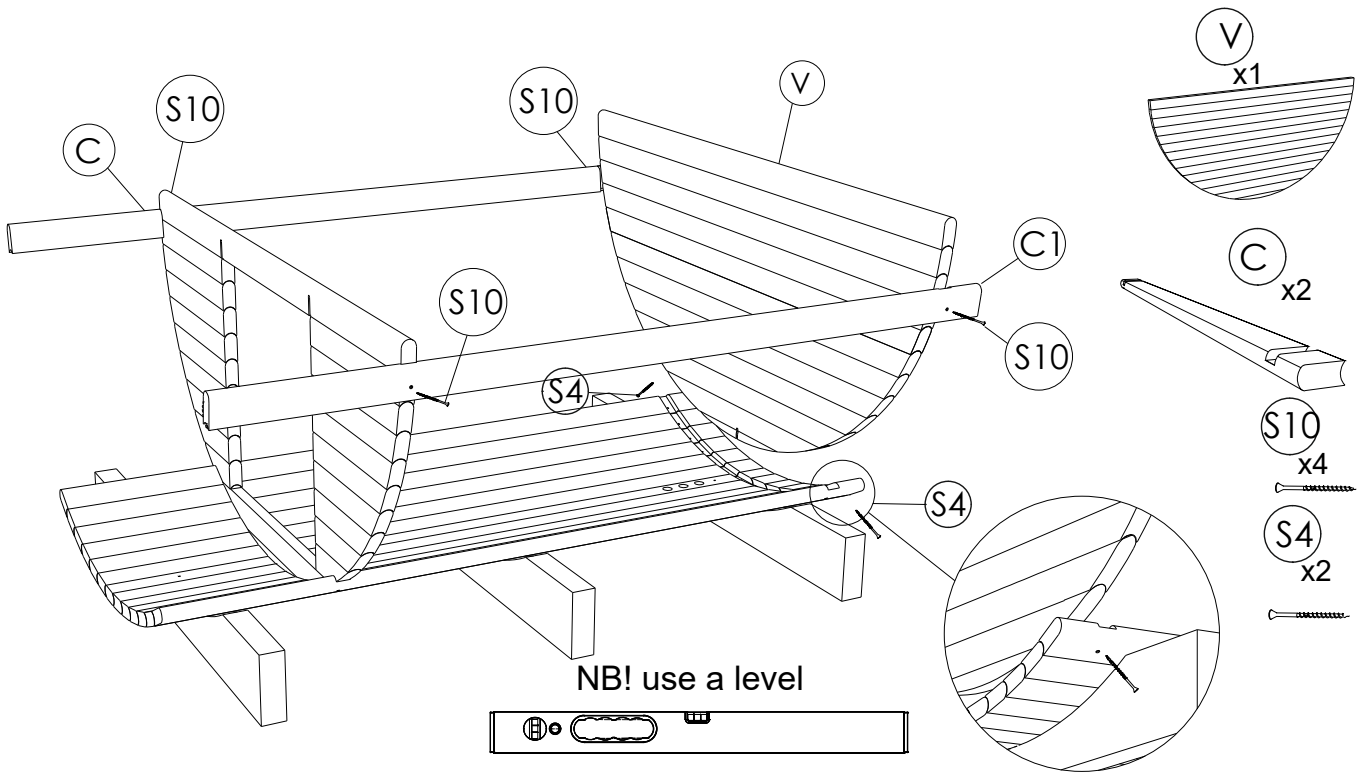
STEP3: Drill six 10 mm holes in front and back wall groove to the out-side in board connections as shown in the picture.



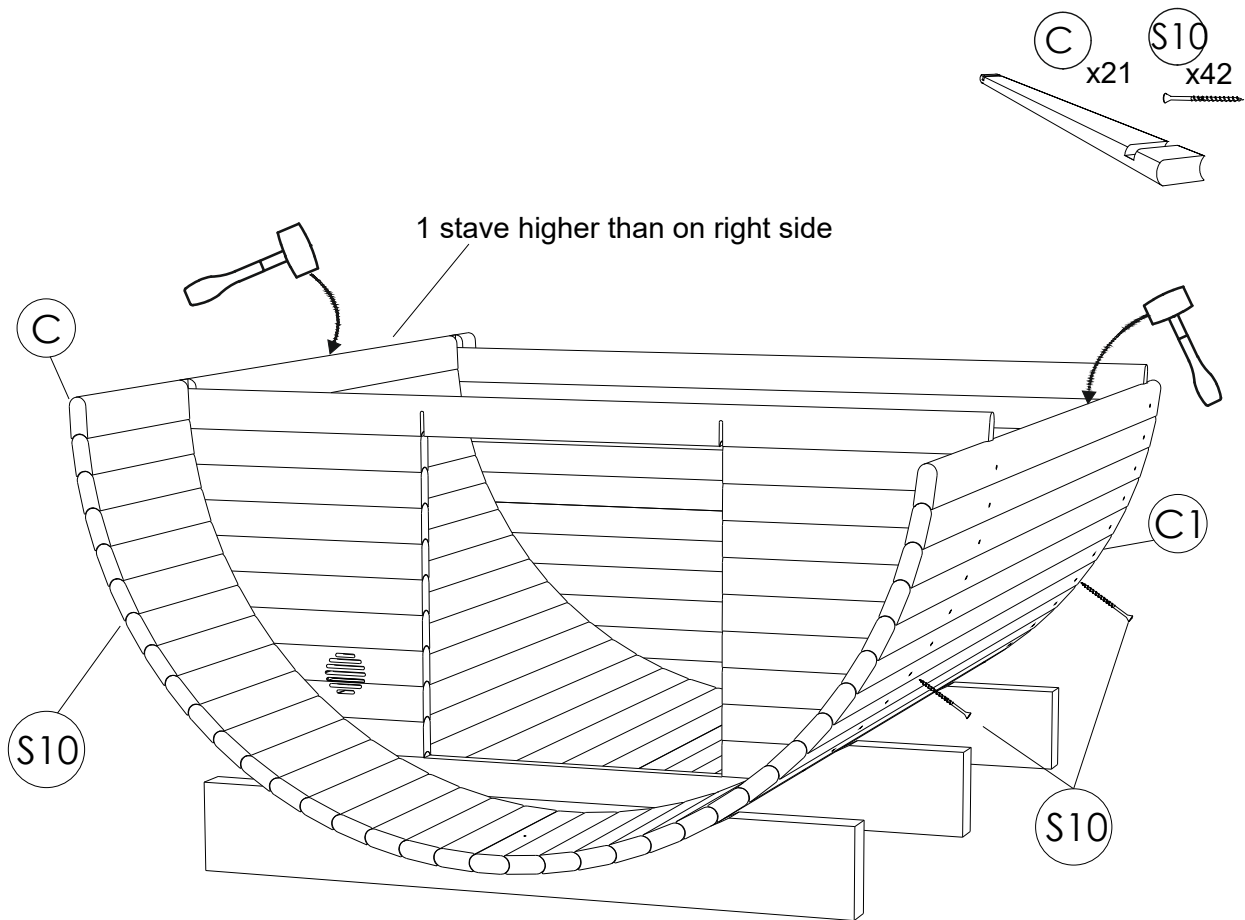
STEP 4: Place front bottom panel (F) in stave groove, be sure panel is centered, leveled, completely seated. Fix panel using 5.0 x 120 (S4) screws through last floor stave on both sides.
NB! use a level



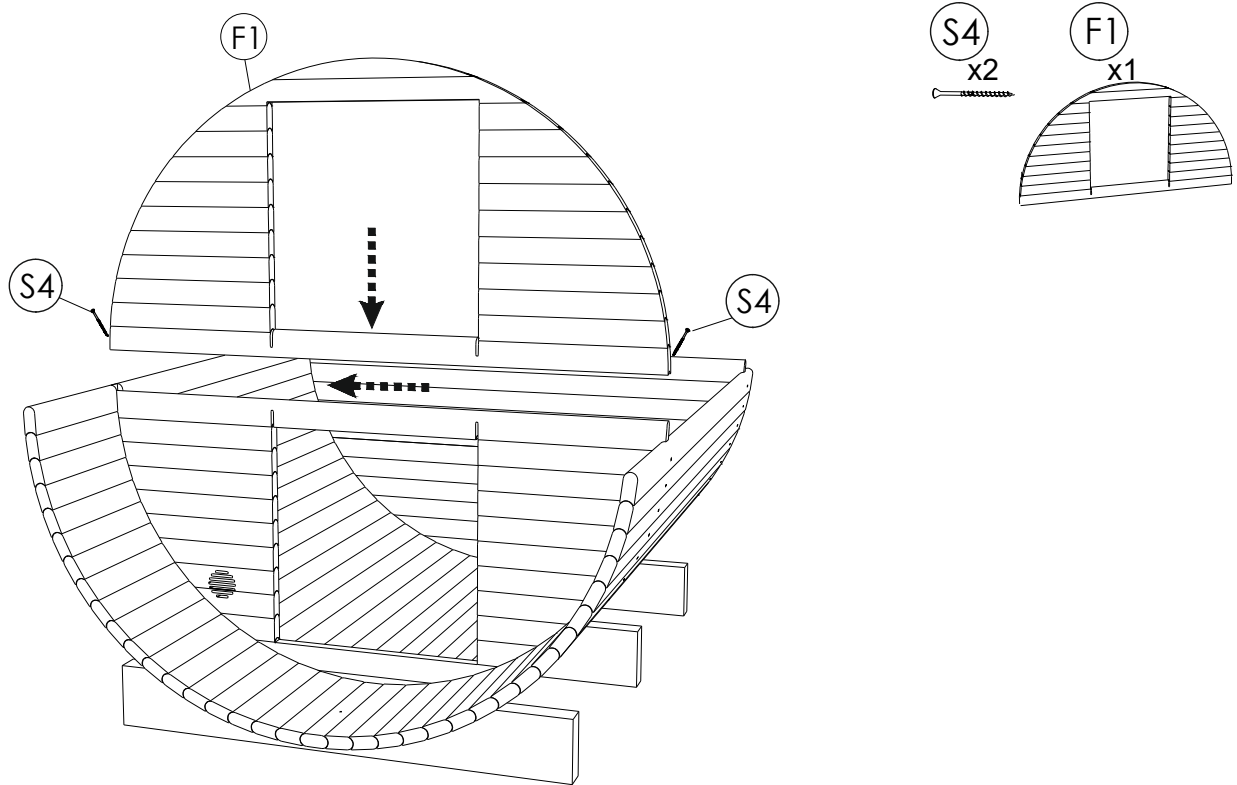
STEP 5: Place rear panel (V) in stave groove, be sure panel is centered, leveled, completely seated. Fix panel using 5.0 x 120 (S4) screws through last floor stave on both sides.



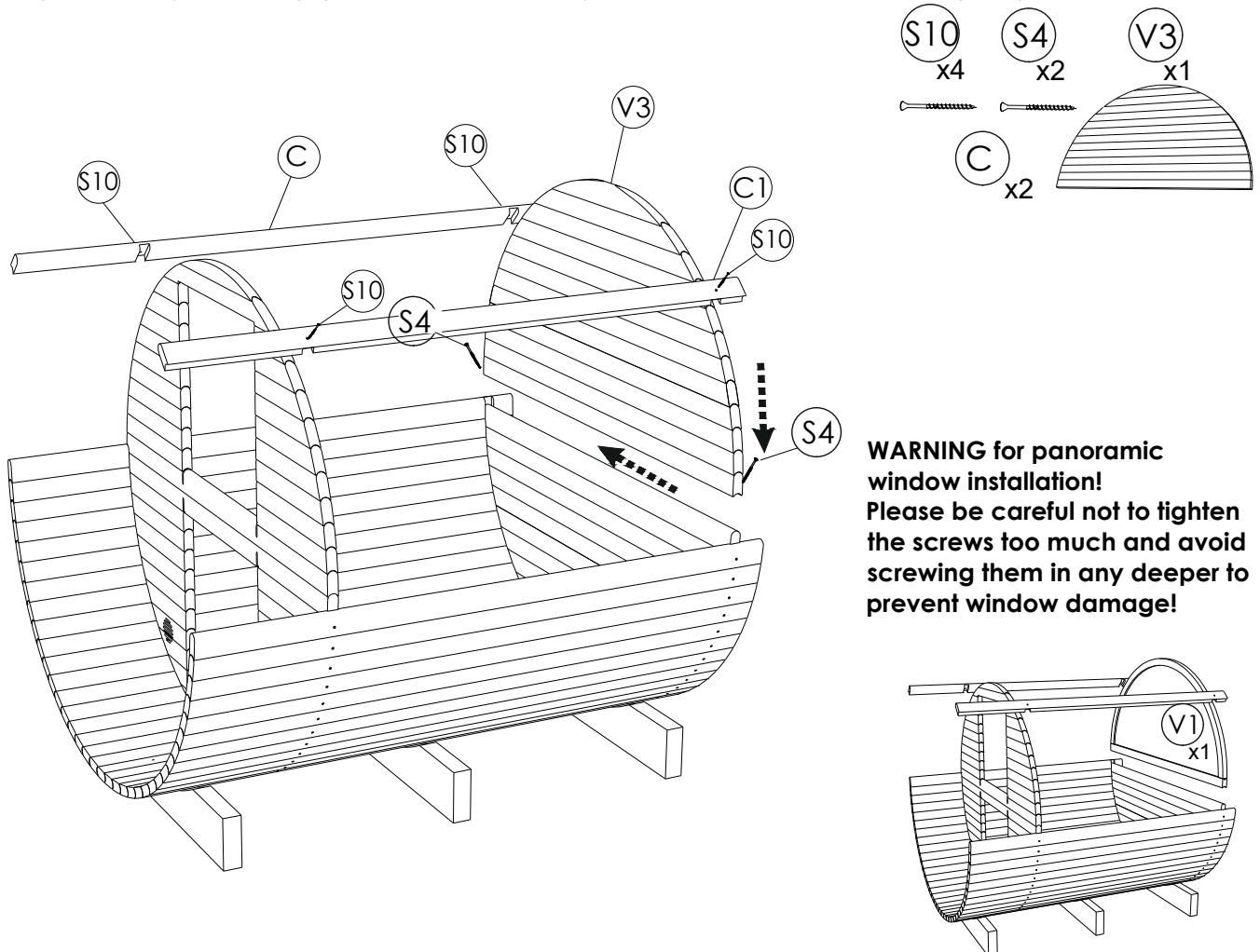
STEP 6: Continue placing body staves (C) tightly on both sides of the sauna using rubber mallet, and fixing body staves with screws 4.0x60(S10) . Fix one stave higher on left side than at right.



STEP 7: Place front top panel (F1) on front bottom panel (F), be sure panel is centered, leveled, completely seated. Fix panel using 5.0 x 120 (S4) screws on both sides.

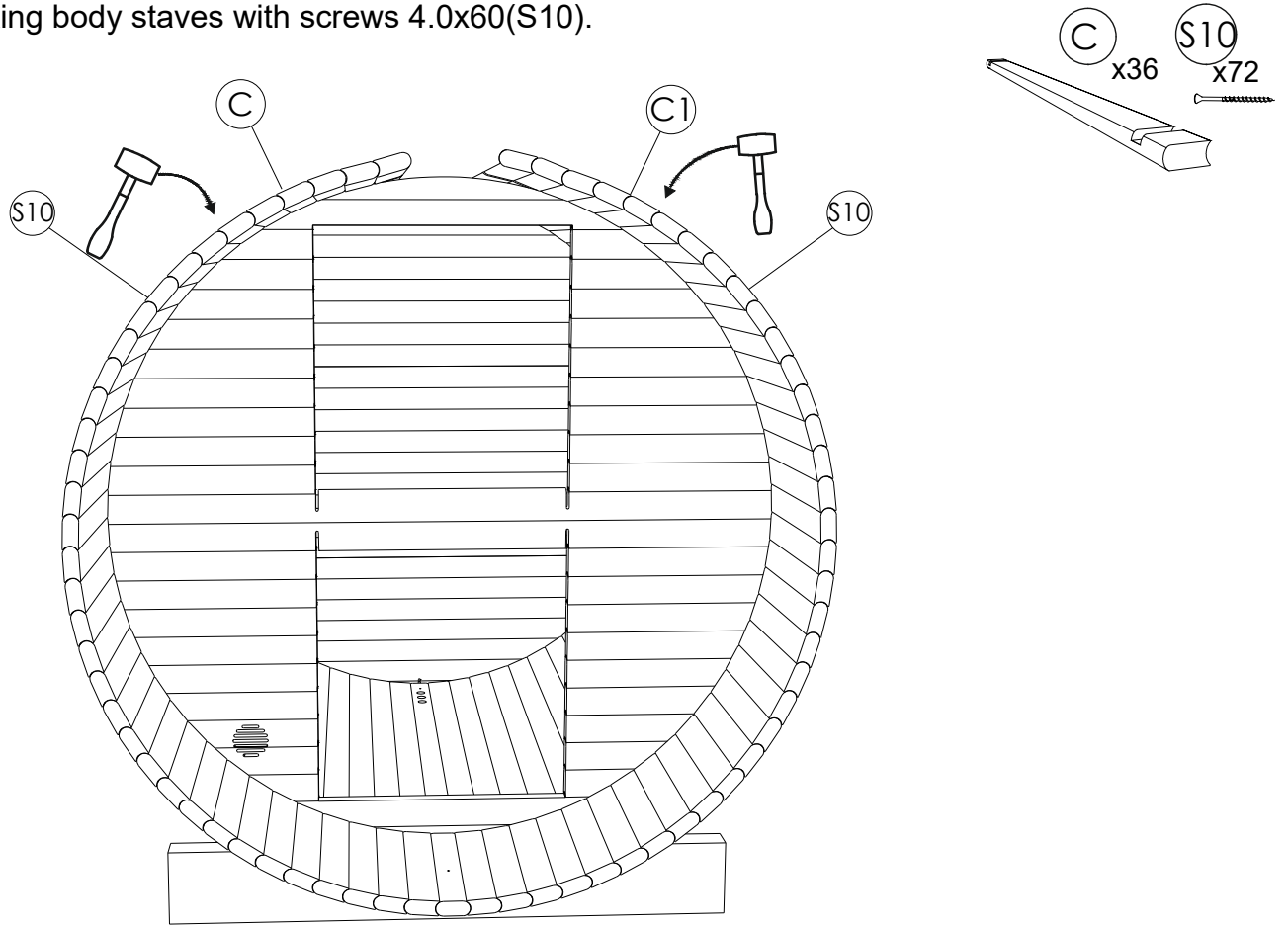


STEP 8: Take the upper rear panel (V3 or V1-panoramic window) and place it on the bottom rear panel (V). Secure it by using 2 screws 5.0 x 120 (S4). Connect the panels (F2; V3) together by placing one body staves (C) both sides where you can reach, with 4.0x60 (S10) screws.

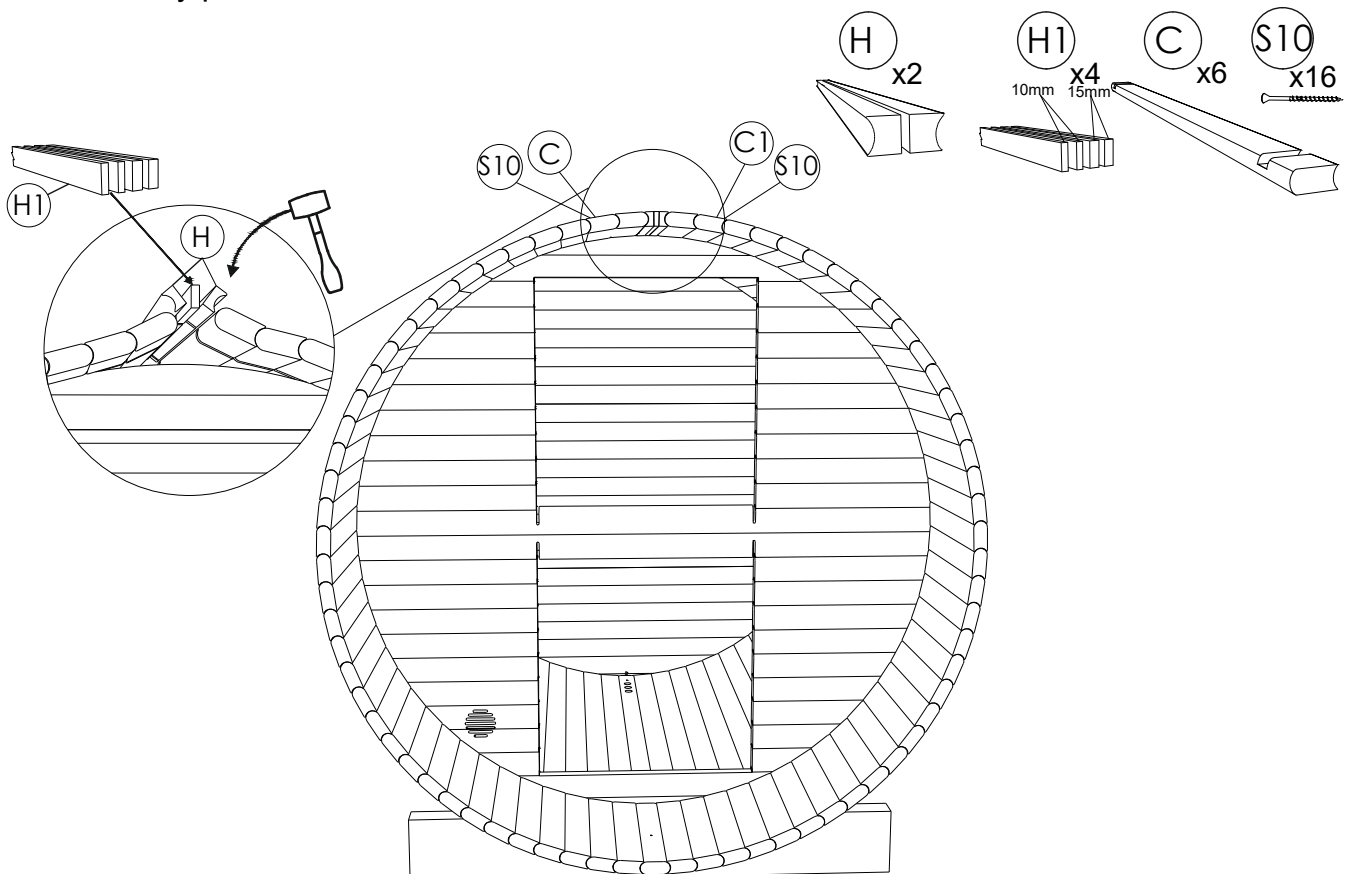


WARNING for panoramic window installation!
Please be careful not to tighten the screws too much and avoid screwing them in any deeper to prevent window damage!

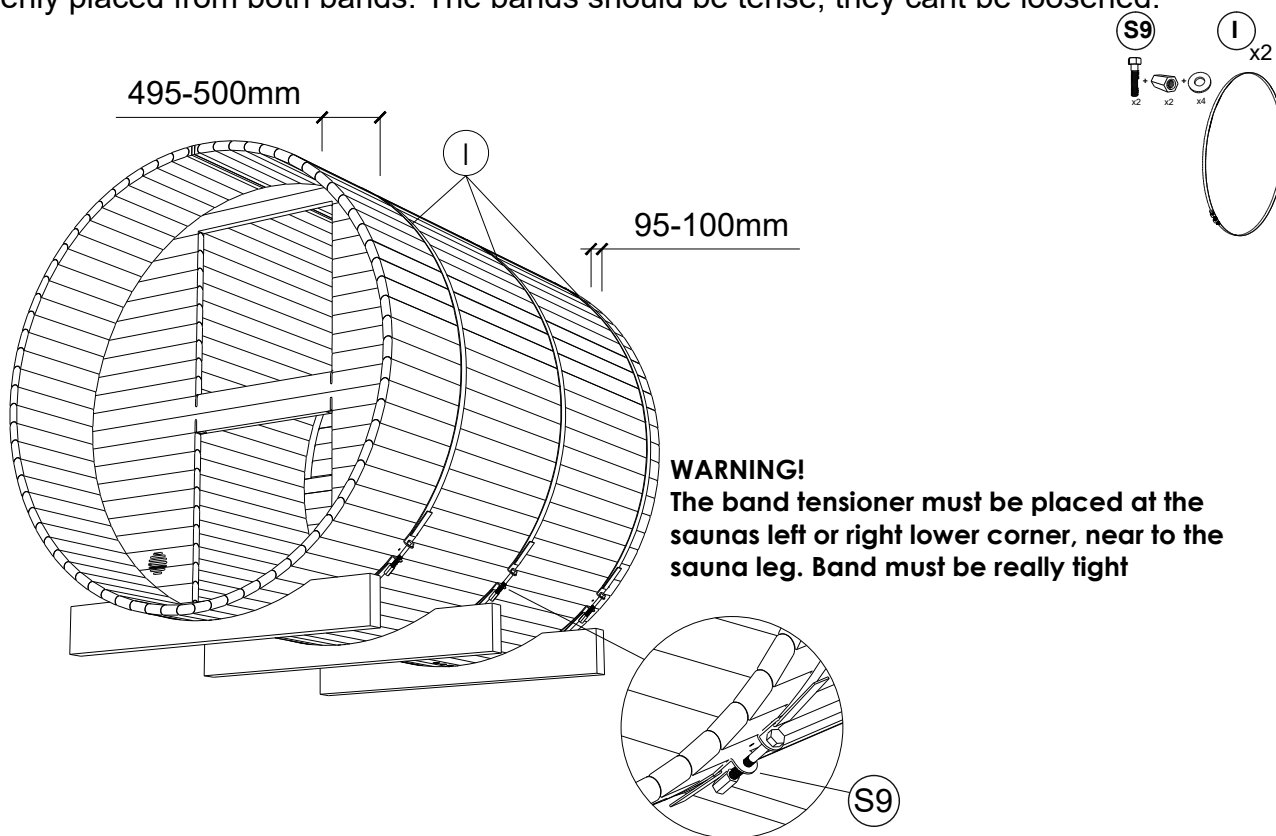
STEP 9: Continue placing body staves (C) tightly on both sides of the sauna using rubber mallet, and fixing body staves with screws 4.0x60(S10).



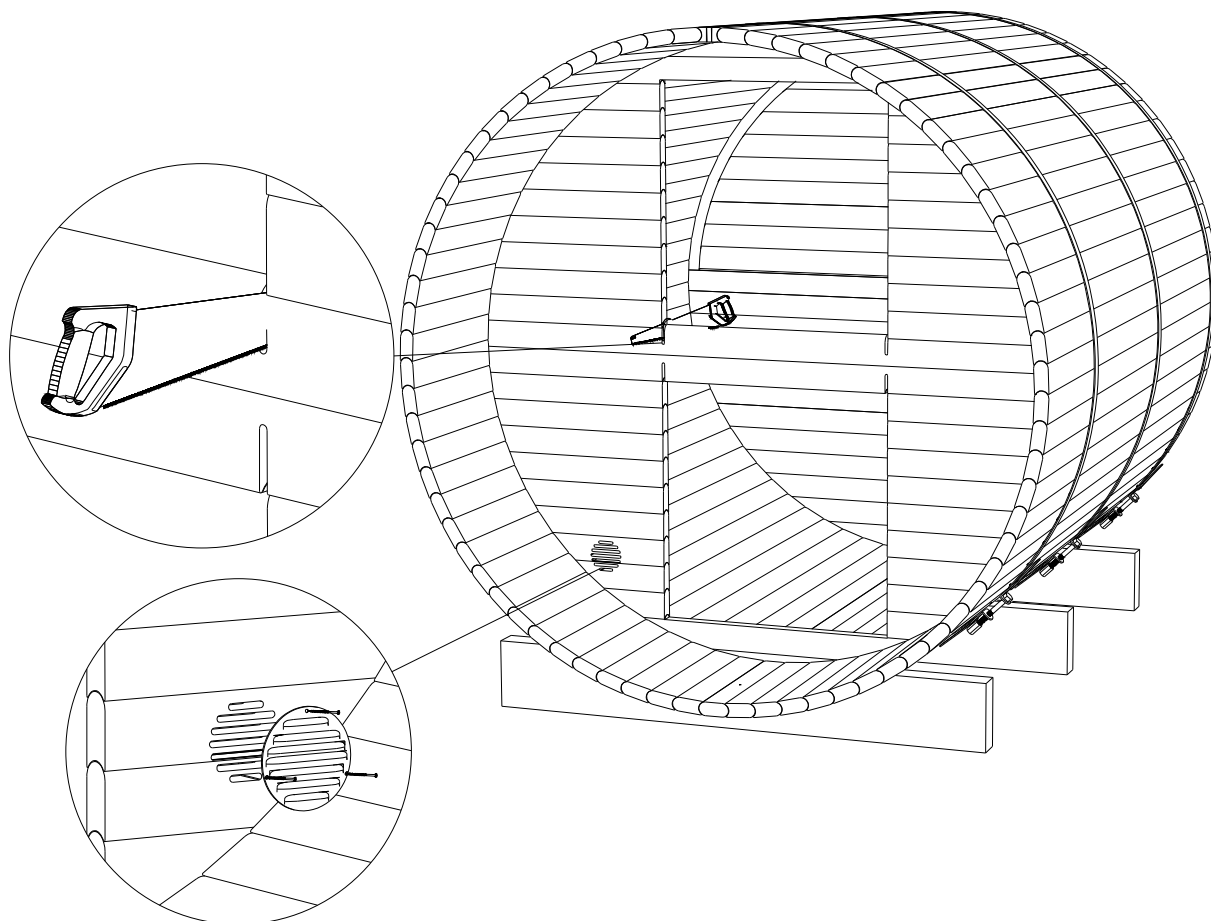
STEP 10: To finish the roof top joint, don't screw about last 3 boards (C) to each side, use roof finishing item (H). Different thickness filling pieces (H1) are provided to completely fill the gap. Once necessary parts are in, fix last boards with screws.



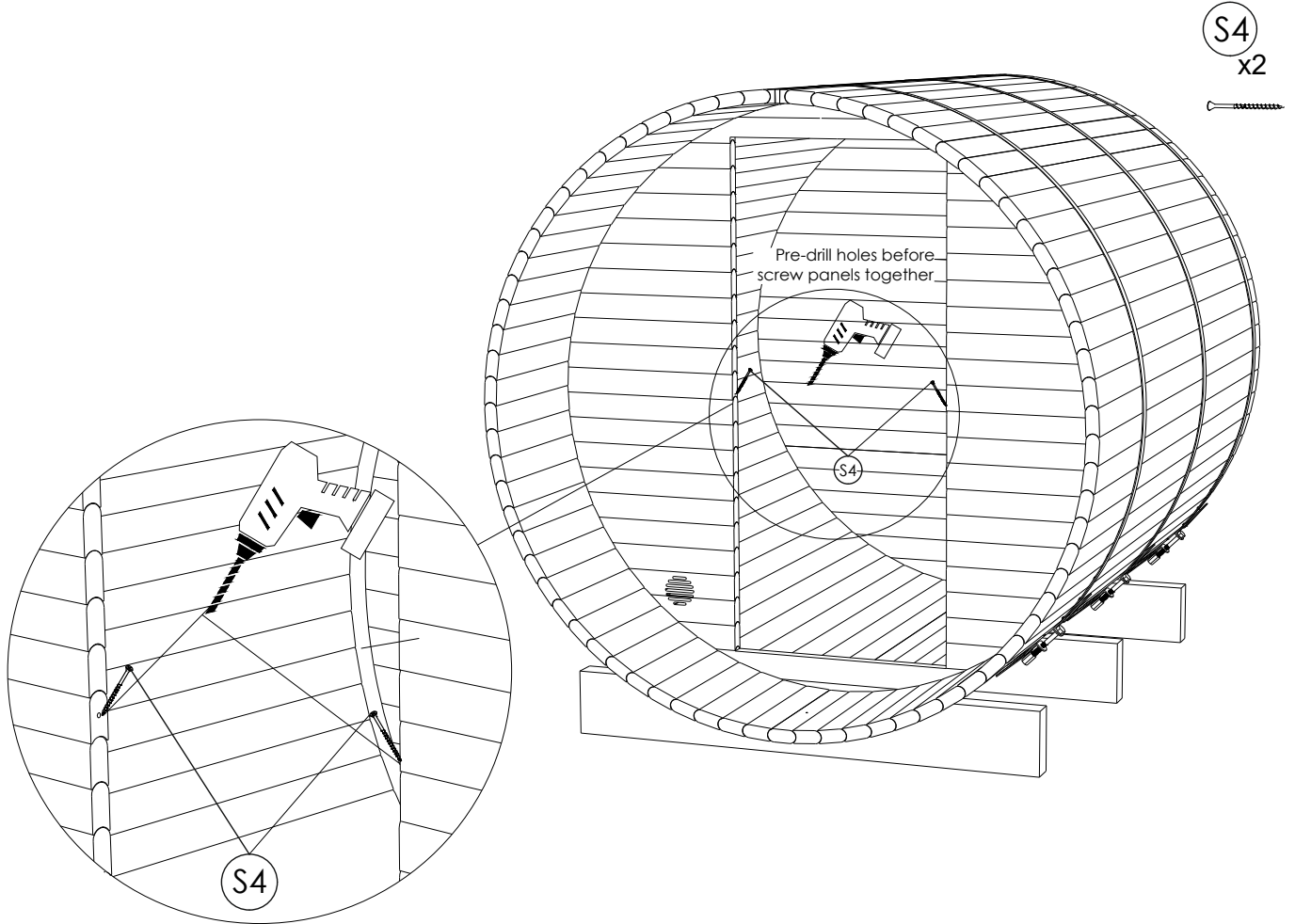
STEP 11: Install steel bands (I) by wrapping bands around the barrel, then connect with bolts and nuts (S9). Place steel bands evenly around the barrel approx 495-500mm from terrace and 95-100mm from sauna back. Bands should cover screw heads evenly. The middle band should be evenly placed from both bands. The bands should be tense, they cant be loosened.



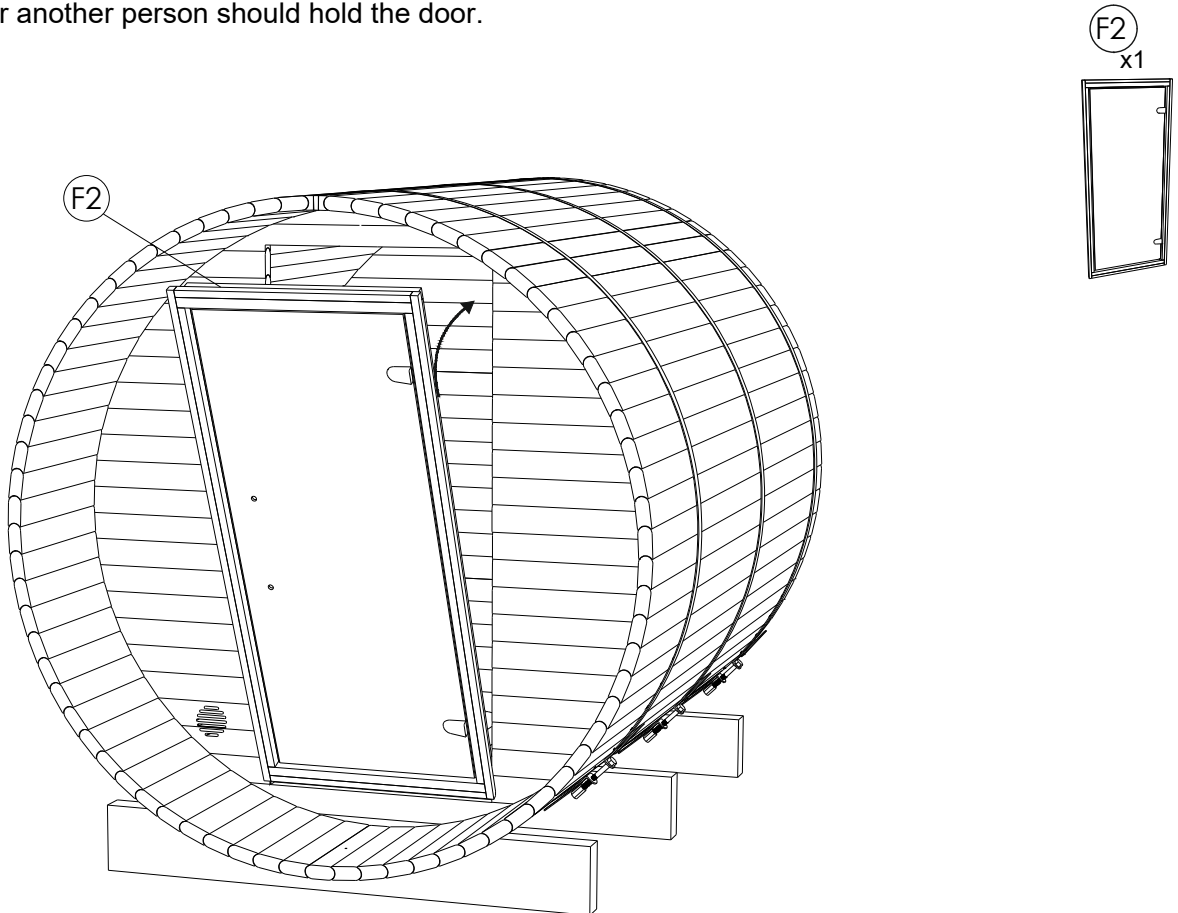
STEP 12: Draw straight line to connect both cuts. Use hand saw or other cutting machine to saw out excess boards for door box. It's recommended to saw out boards from inside. Fix ventilation grill (Y) from inside on ventilation cuts.



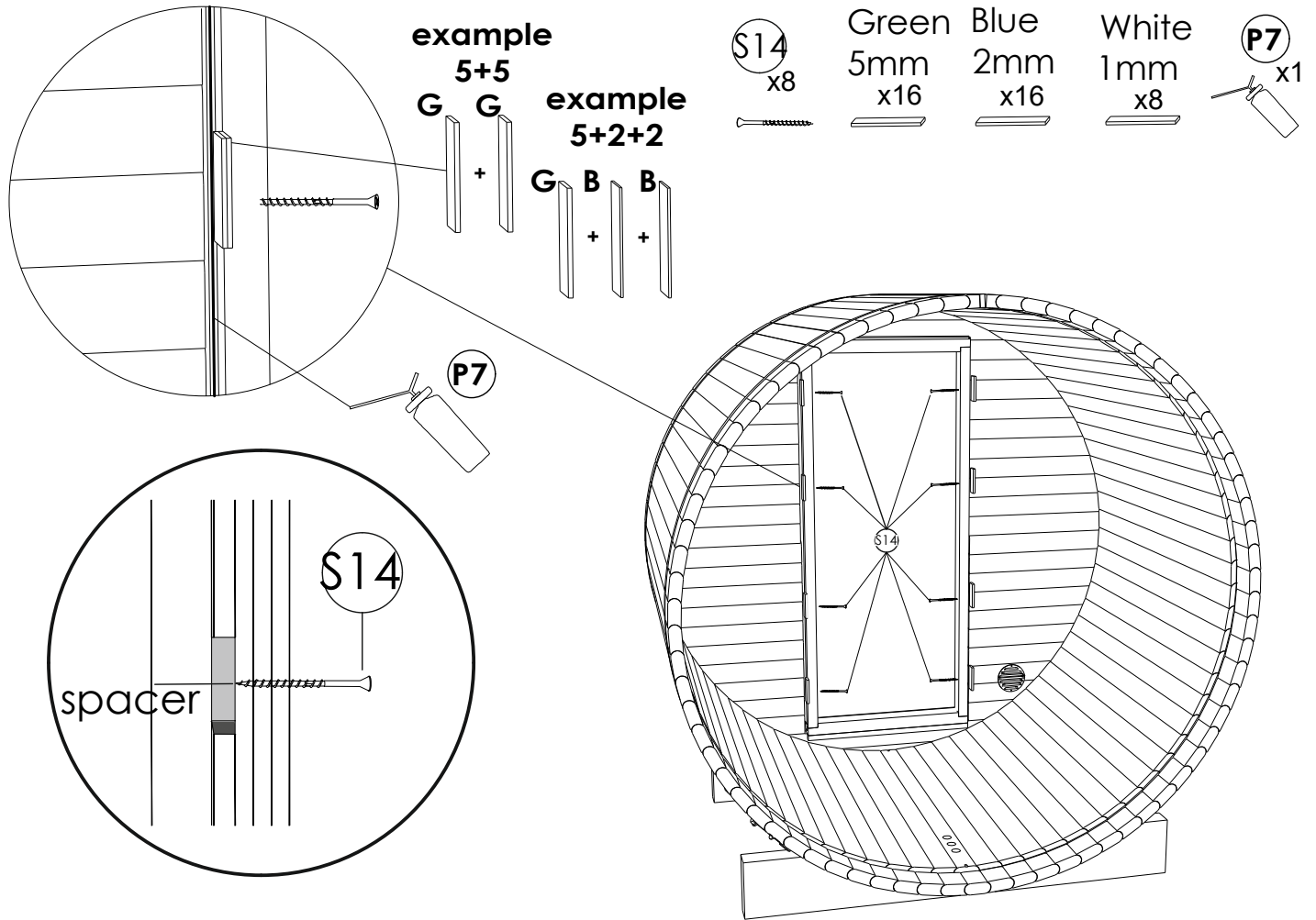
STEP 13: Pre-drill holes for screws. Fix both panels together using 5.0x120 (S4) screws.



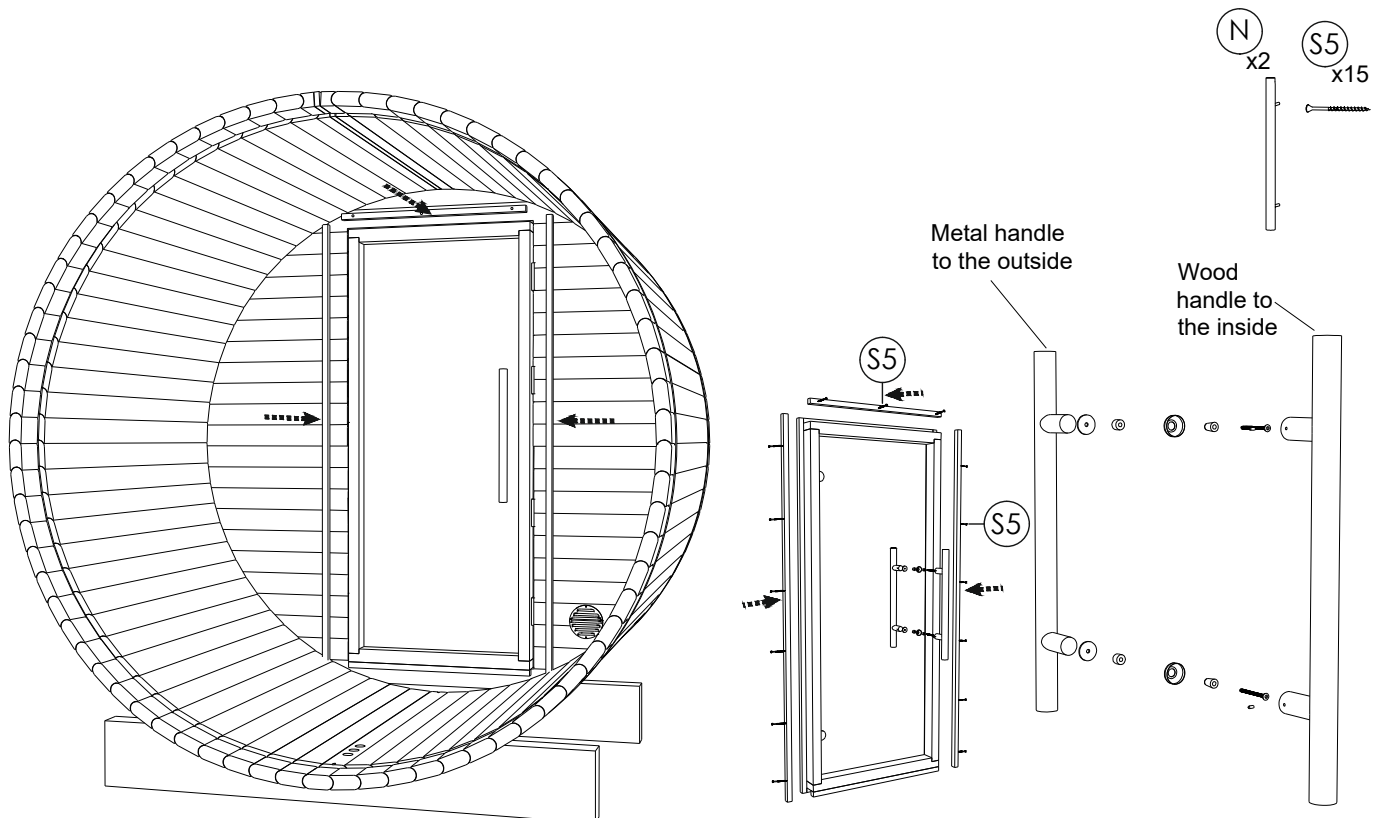
STEP 14: Install the doors (F2). Put the doors on threshold and lay in frame about in the middle. Fix doors with clamps or another person should hold the door.



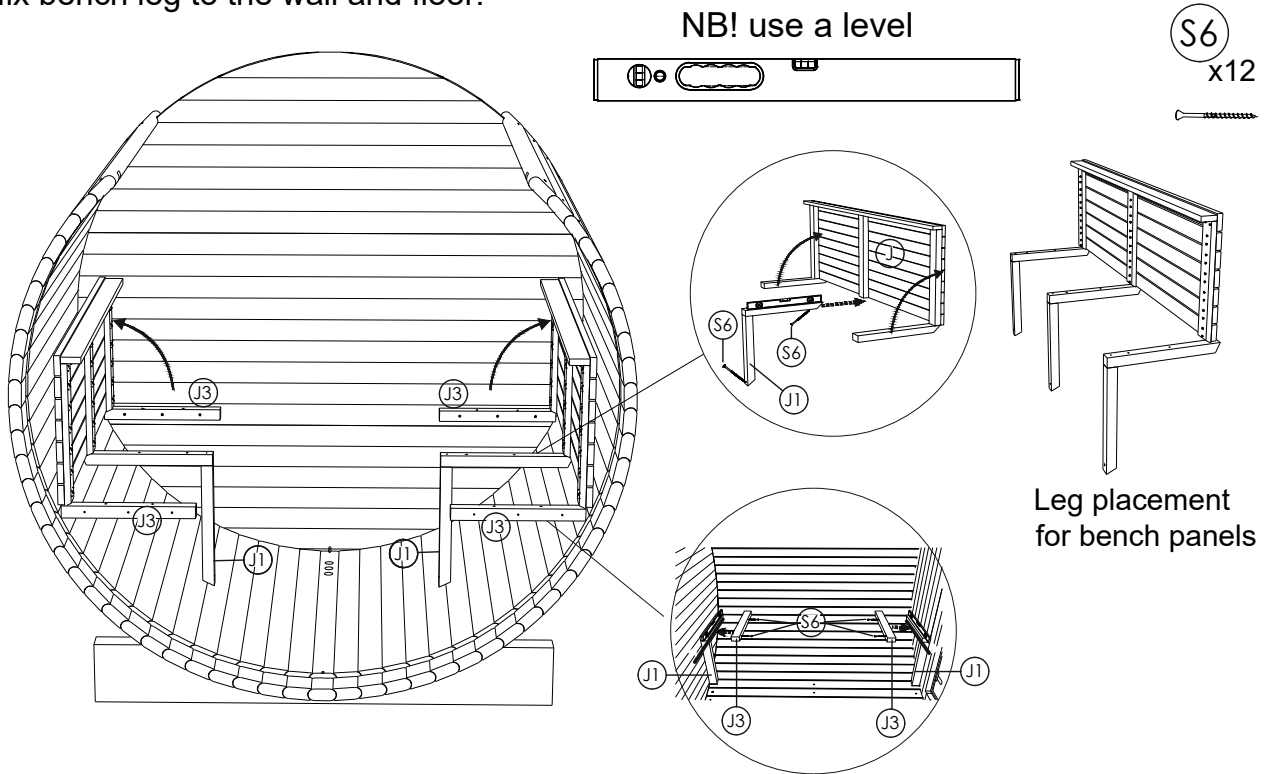
STEP 15: Put plastic spacers in the gap between the door box and the front panel where the screws go. Combine spacers for best width. First, fix one side of the door box with screws 5x80 (S14) through spacers. Then put spacers in other side. Combine spacers for necessary width. Spacers must fit tightly, they can't slip down before door is fixed with screws. Use screws 5x80 (S14) to fix doors. Check door box, both sides should be straight, they must not be bent inwards or outwards. Use foam around door box. Don't clean up the foam until it's dried out. The excess amount will come off easily if you don't touch it while it's wet.



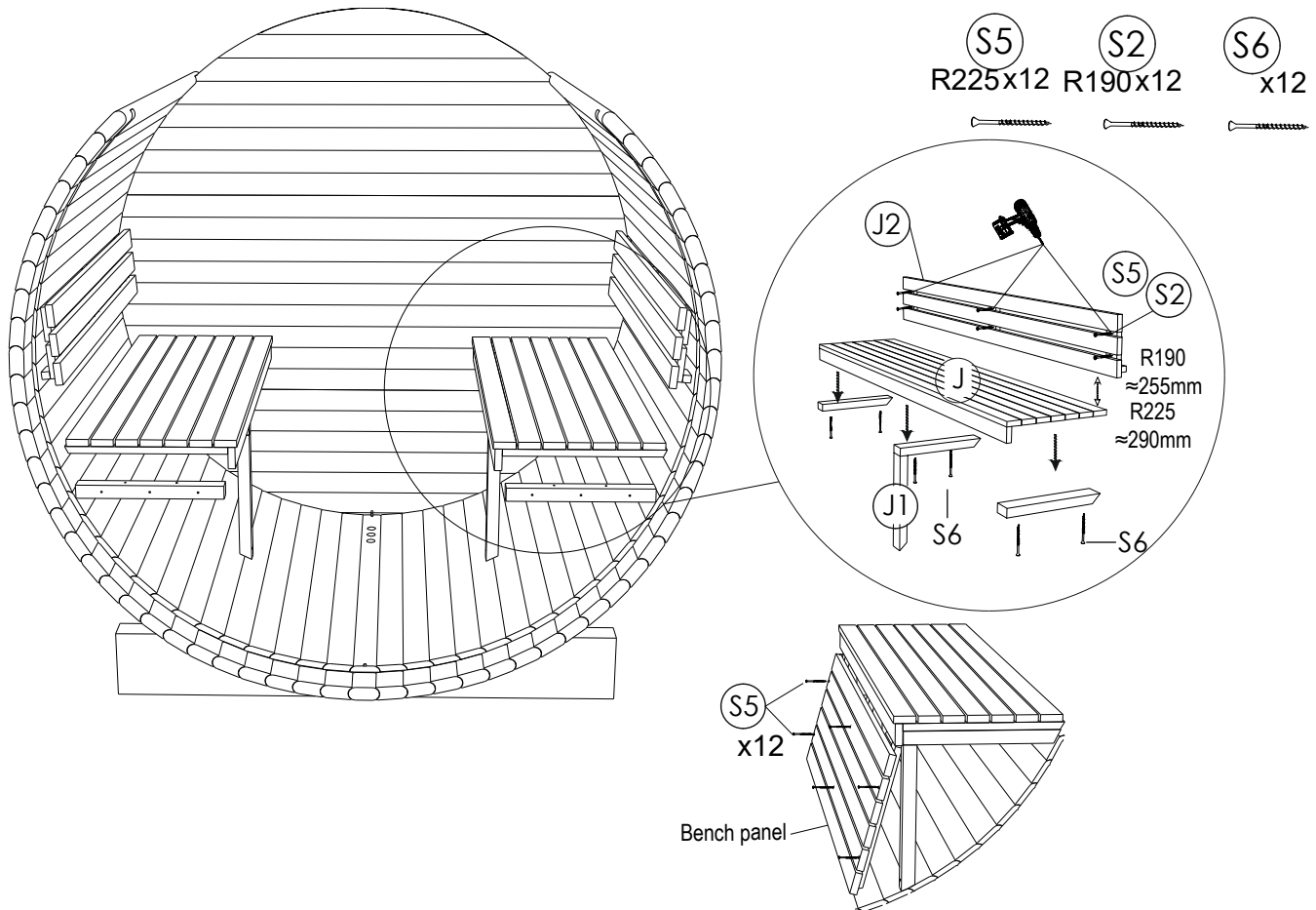
STEP 16: Fix door moldings to both sides and on top of the door with S5 screws 4x50ss.



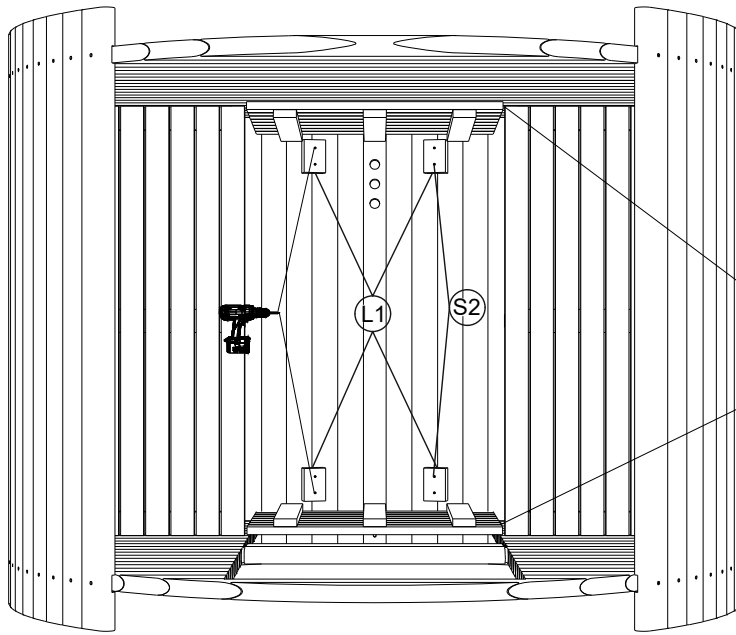
STEP 17: To install wall mounts (J3) use interior supporting leg (J1). Put it on the sauna wall in level, mark a line where wall mounts will stand. Using screw 5.0x70 SS (S6) fix wall mounts (J3) on the marked lines. Install interior supporting leg (J1) in the center of bench (J). Stand bench on side wall mounts. Place J1 in the center and check the level. Using screw 5.0 x 70 SS (S6) fix bench leg to the wall and floor.



STEP 18: Pre-drill holes before fix backrest with screws, install backrests (J2) using screw 4.0 x 70 SS (S2). Fix sauna bench (J) to wall mounts and support leg using 5 x70 SS (S6) screws. Fix bench panel(if ordered) with screws 4.0x50SS (S5).



STEP 19: Place floor duckboards (L) to the both sides upwards and place fixing blocks next to the flooring cross boards. Pre-drill holes before fix with screws, install fixing blocks (L1) using screw 4.0 x 70 SS (S2)R190 or 4x50SS (S5)R225.

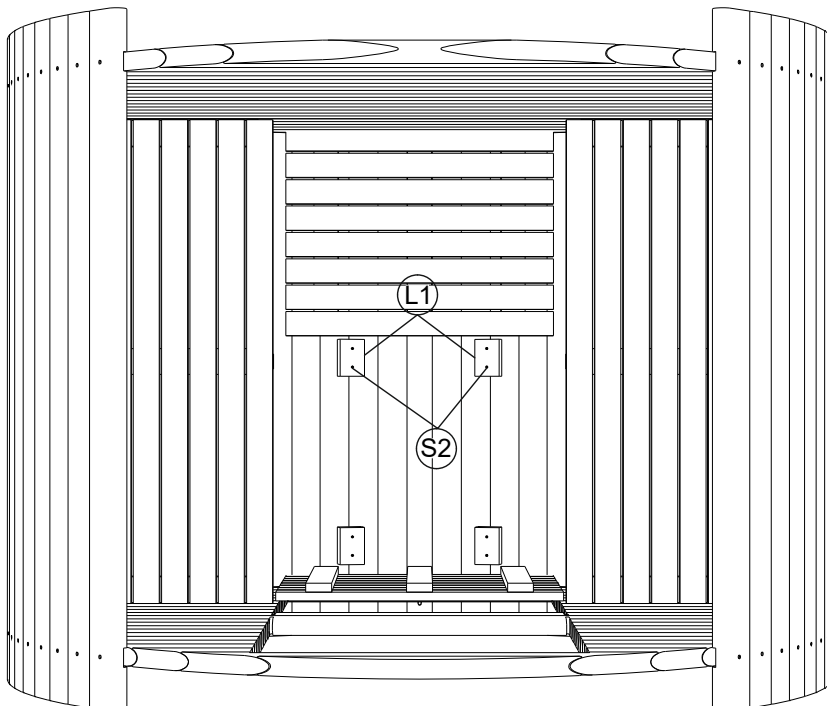


(S2)
R190 x6



(S5)
R225 x6

STEP 20: Pre-drill holes before fix with screws, install fixing blocks (L1) under floor duckboard using screw 4.0 x 70 SS (S2) R190 or 4x50SS (S5) R225. Place floor duckboards (L) on the floor and fix fixing blocks next to both flooring crossboards.

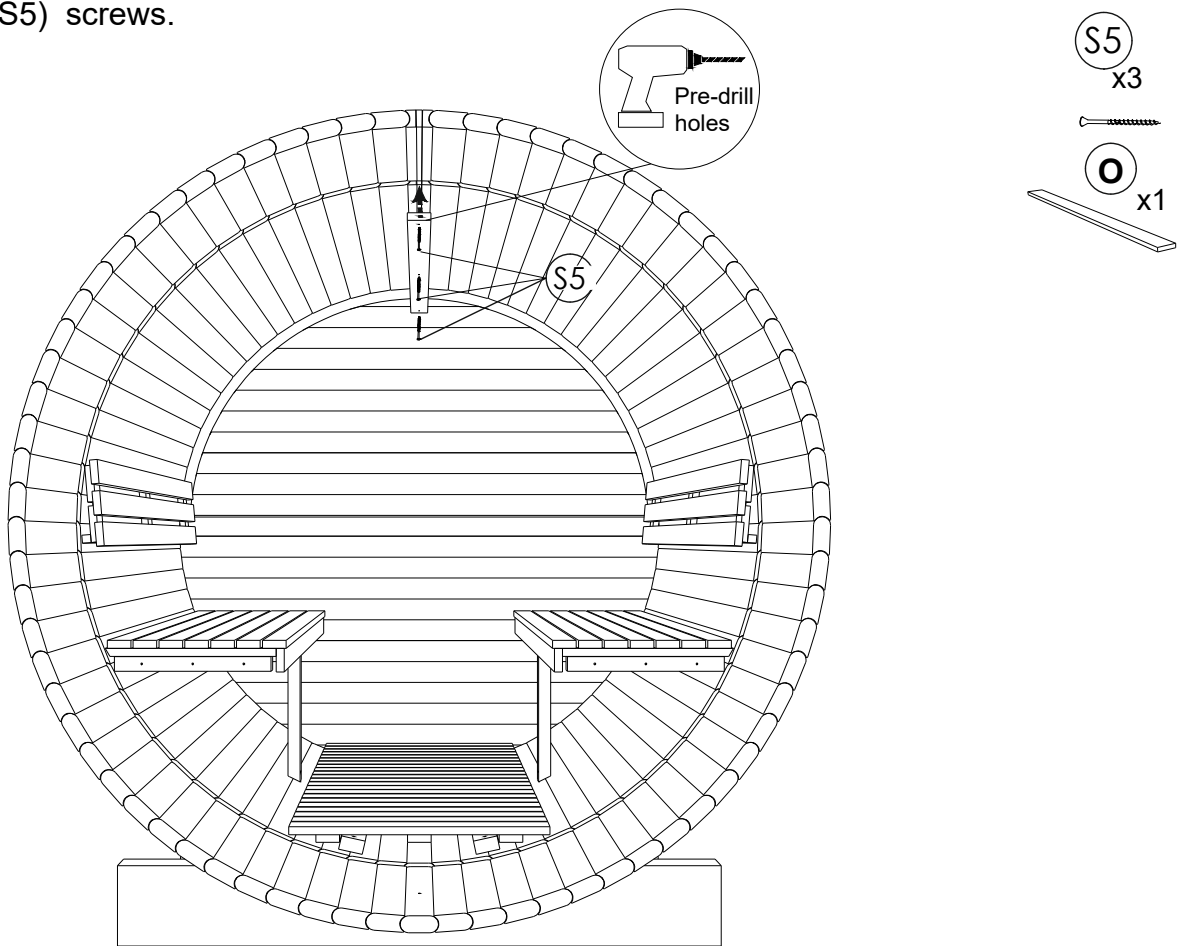


(S2)
R190 x4

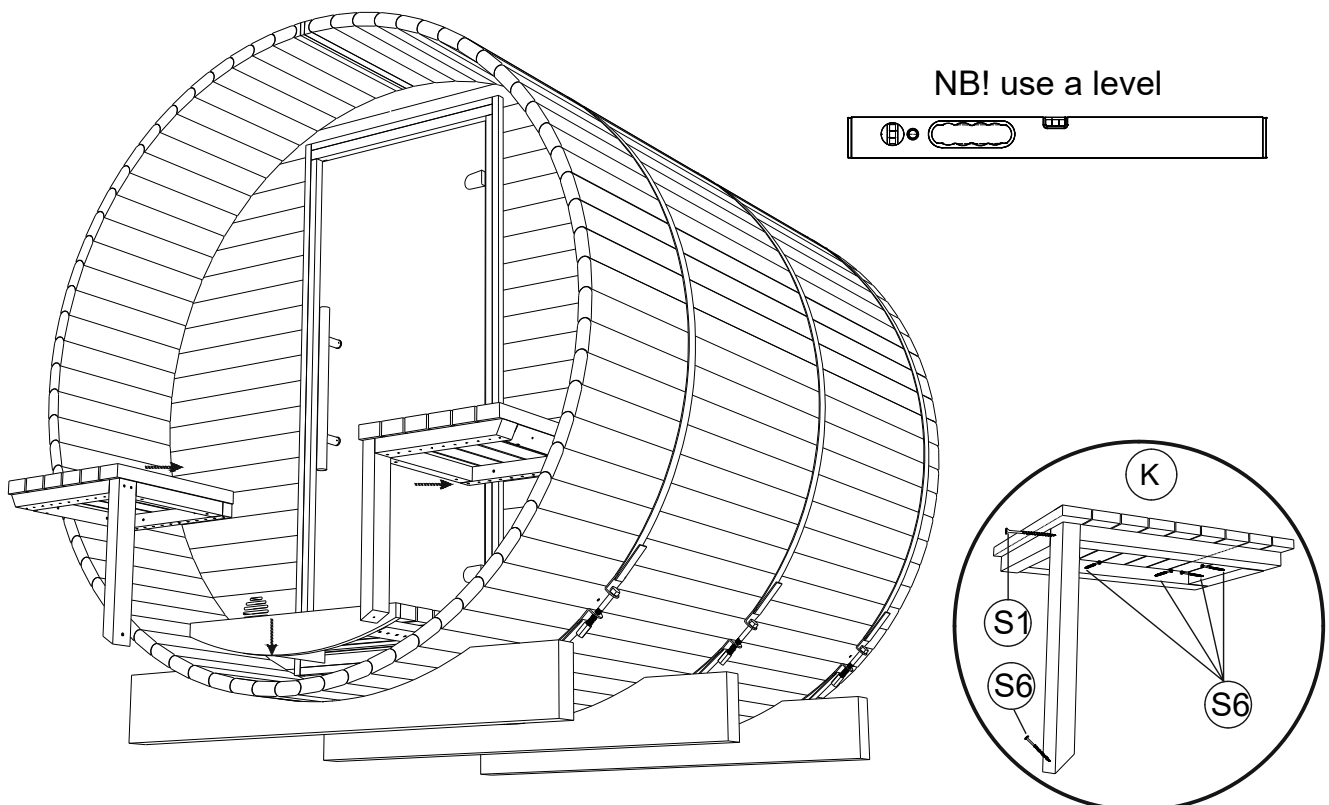


(S5)
R225 x4

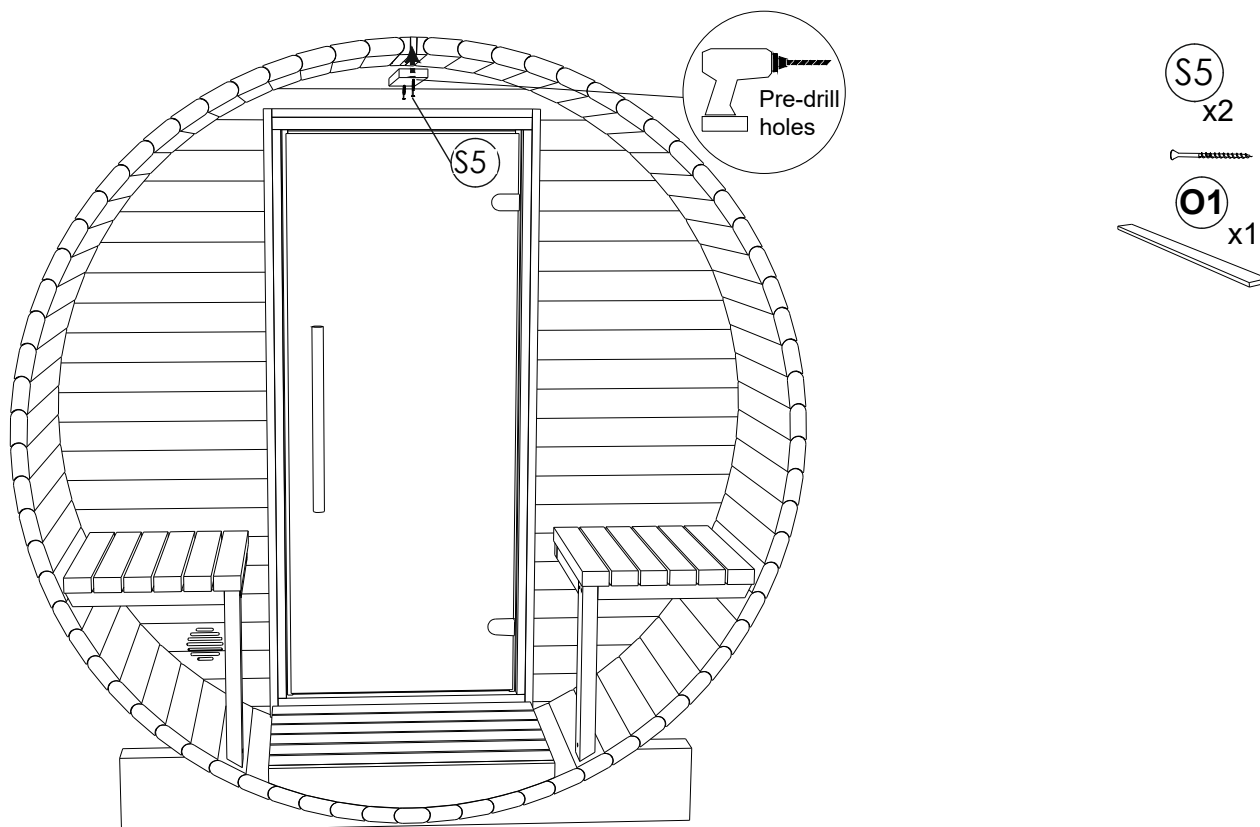
STEP 21: Pre-drill holes before fix stave with screws, install interior roof trim (O) in sauna with 4.0 x 50 SS (S5) screws.



STEP 22: Install front and rear decorative roof finishing boards (W), fixing by screws 4.2x55(S7). Install porch benches (K), using screws 5.0 x 70 SS (S6) and 5.0 x 100 SS (S1). Hold the seat and leg assembly tight to the sauna wall. Using a level, make sure the bench seat is level from front to back. This will ensure proper placement.



STEP 23: Pre-drill holes before fix stave with screws, install terrace roof trim (O1) in sauna with 4.0 x 50 SS (S5) screws.



STEP 24: For shingles installation see additional manual.

