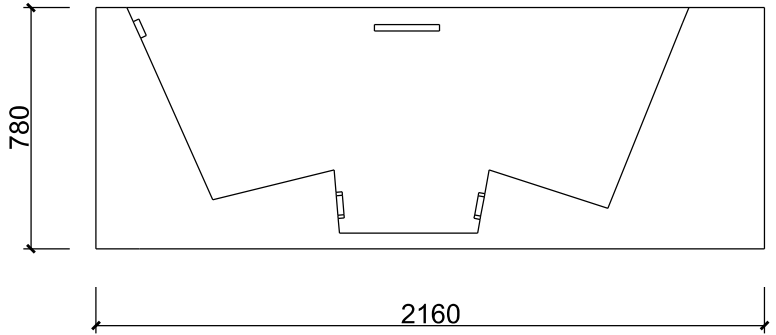
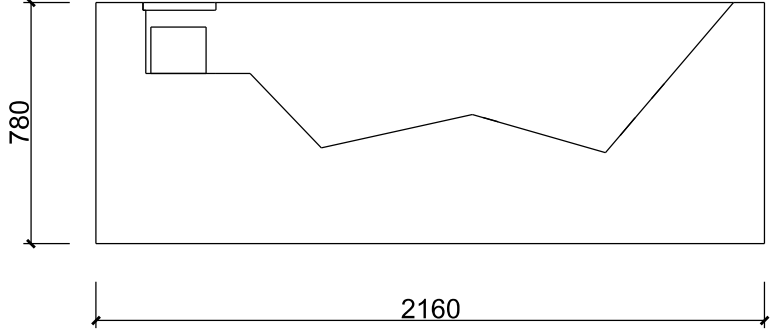


B-B



C-C



Hight: 780mm

Pump	connected	SUM
M1:	36 + ozonator + waterfall	38
M3:	FILTRATION	

Water Jets	36
Air Jets	12
Lounge seats	1
Sitting seats	2

HANSCRAFT[®]
european spa producer

2160x1600	rev.08	NOV. 2021
OKA2 NEPHRITE	AUTHOR: ING. JAN. F. VORISEK	DWG No: 1